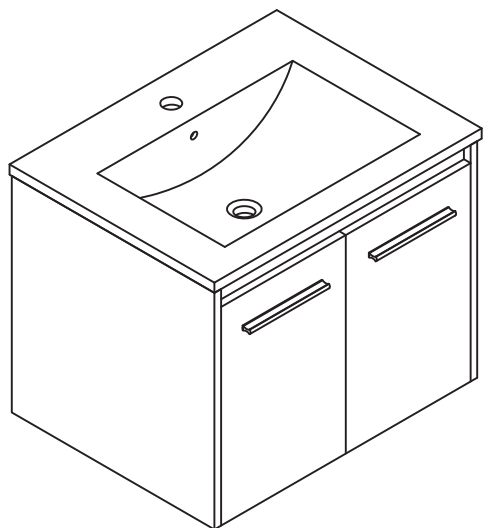




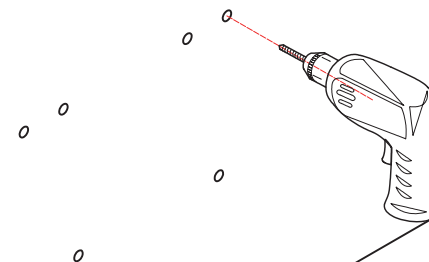
ASSEMBLY INSTRUCTIONS

VF44524MBL / VF44524MGN / VF44524MWT
 VF44524MTK / VF44524MMP / VF44524MWH
 VF44524MCG



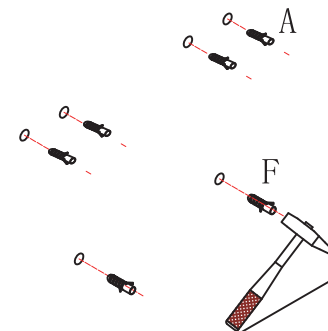
Step 1

Wall






Step 2

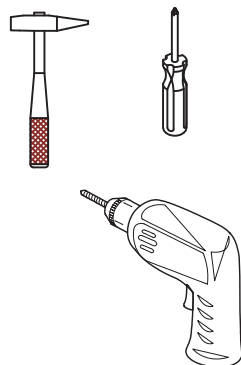
Wall



Hardware

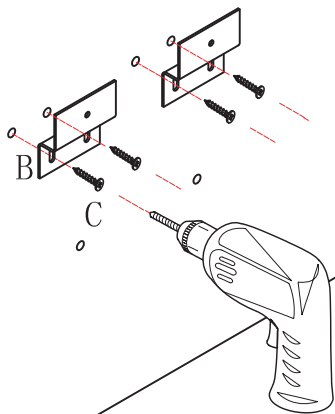
NO.	Parts	QTY
A	 (M6*1.18")	4
B		2
C	 (T4*1.38")	4

Tools

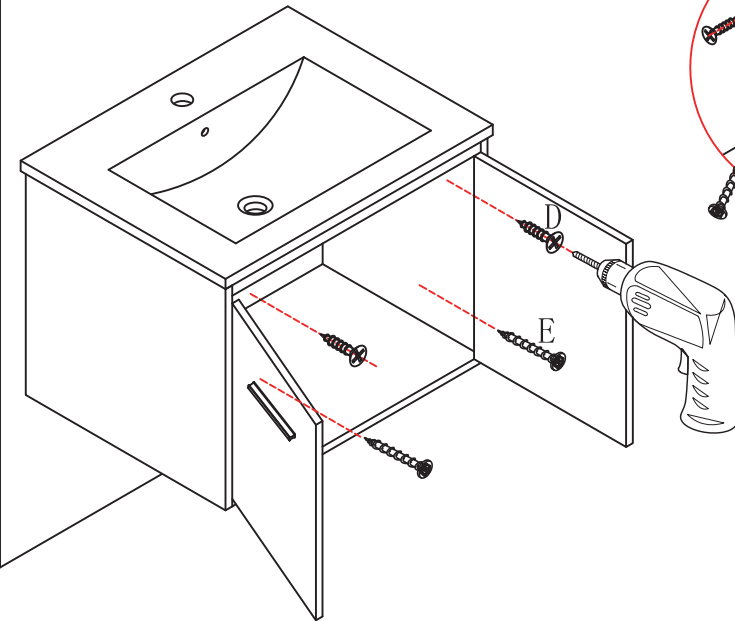


Step 3

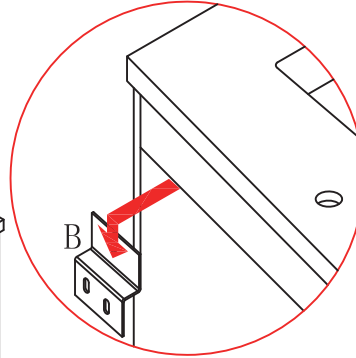
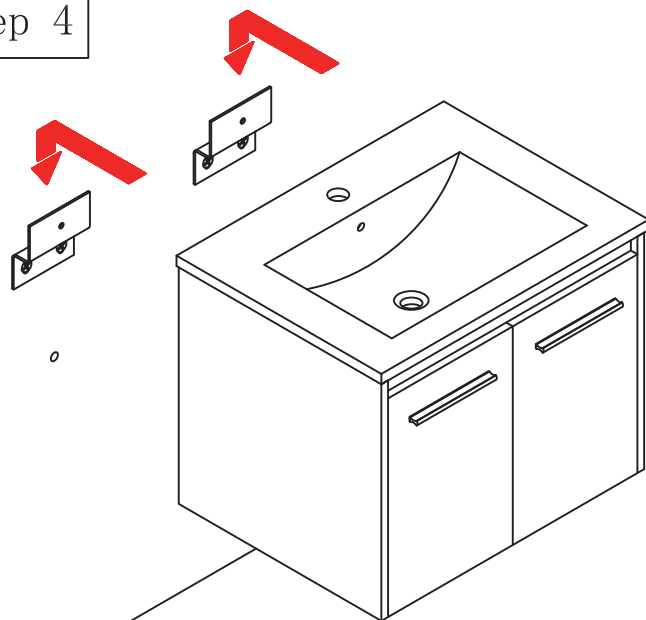
Wall



Step 5



Step 4



Finished

